

BD Alaris™ System IUI inspection

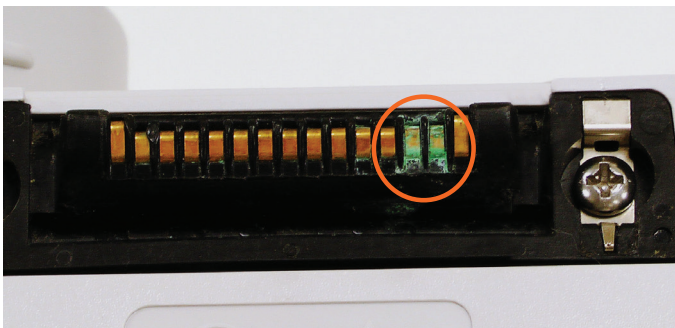
IUI inspection

Inspect inter-unit interface (IUI) connectors on each BD Alaris™ PC Unit and on each module prior to each use.



IUI connector

If any surface contaminants (e.g., blue or green deposits), cracks, or other signs of damage are visible, this means the connector requires replacement.



IUI connector with surface contaminants



IUI connector with bent pin

IUI connectors with cracks

Inspect the right side (male) IUI connector for cracks on the entire surface of the black plastic housing. (See Figures 1 and 2.)

Inspect the left side (female) IUI connector for cracks on the edges of the black plastic housing.

If cracks are found, replace the IUI connector before use.

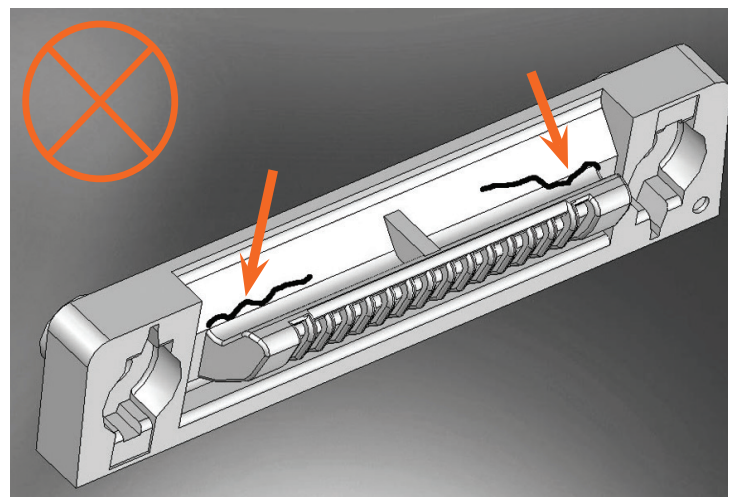


Figure 1: Male IUI connector (right side)

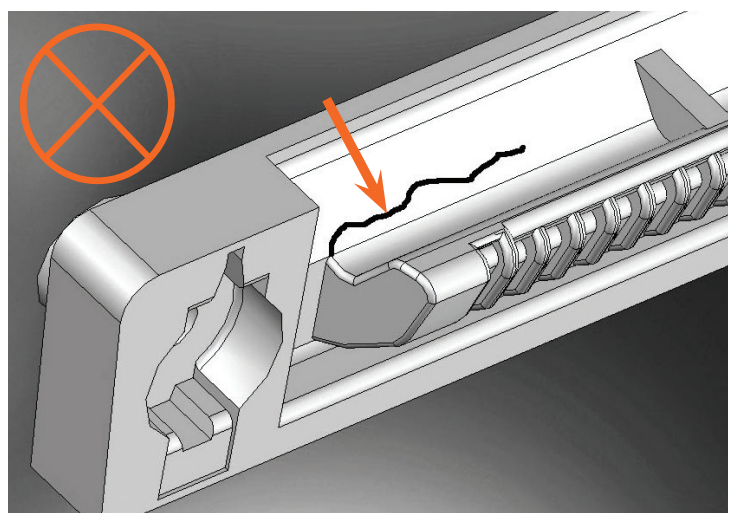


Figure 2: Male IUI connector (detail)

For product support, contact Customer Advocacy at **888.812.3266** or customerfeedback@bd.com

For technical support, contact Instrument Technical Support at **866.488.1408**.

For product orders, contact Customer Order Management at **800.482.4822**.

⚠ See reverse side for applicable warnings and cautions.

📖 For complete instructions, refer to the *BD Alaris™ System User Manual* at bd.com



BD Alaris™ System IUI inspection

Warnings and cautions

WARNING: Failure to follow these instructions may result in potential hazards associated with damaged IUI connectors.

WARNING: Inserting a finger or other object into the IUI connector, when the module is attached to the PCU, could result in electrical shock.

WARNING: Inspection of IUI connectors is required. Damaged IUI connectors can result in incorrect device operation. Use of a damaged device can result in patient harm.

WARNING: Do not return the device to patient use if there are cracks, surface contaminants, discoloration or other damage to IUI connectors. Use of devices with damaged IUI connectors can result in patient harm. Send all damaged devices to Biomedical Engineering for repair.

CAUTION: Preventive maintenance inspections should be performed only by Biomedical Engineering.

CAUTION: Should an instrument or accessory be dropped or severely jarred, it should be immediately taken out of use and inspected by qualified service personnel to ensure its proper function prior to reuse.